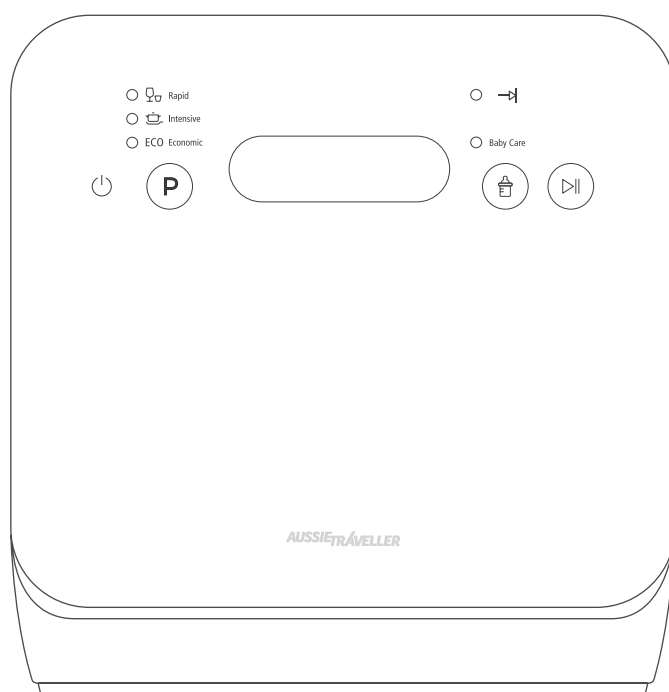




FREESTANDING MINI DISHWASHER

INSTALLATION & USER MANUAL



READ CAREFULLY BEFORE USING
RETAIN MANUAL FOR FUTURE REFERENCE



Read this installation instruction thoroughly.
Incorrect installation or operation may void any warranty.
Incorrect use or operation may cause serious injury.

CONTENTS

QUICK START GUIDE	2
IMPORTANT SAFETY INSTRUCTIONS	4
Warning	4
Earthing Instructions	4
General Use	5
Disposal	5
PRODUCT INTRODUCTION	6
Packing List	6
Dishwasher Features	6
Control Panel	7
OPERATION	8
Loading the Dishwasher	8
Loading the Dish Rack	9
Loading the Cutlery Basket	9
Folding Down the Racks for Bigger Items	9
Filling the Dispenser	10
Adding Detergent	10
Programming the Dishwasher	11
Draining the Water Tank	12
MAINTENANCE	13
Filter System	13
Caring for your Dishwasher	14
General Dishwasher Maintenance	15
INSTALLATION	16
Installation Preparation	16
Connecting to Power	16
Connecting to Water	16
Connecting the Drain Hose	17
TROUBLESHOOTING	18
ERROR SIGNALS	19
TECHNICAL INFORMATION	20
WARRANTY	21

1300 663 868 | enquiries@aussietraveller.com.au | aussietraveller.com.au

BRISBANE SHOWROOM: 11-15 Oasis Court, Clontarf QLD 4019 | MELBOURNE SHOWROOM: 235 Barry Road, Campbellfield VIC 3061

QUICK START GUIDE

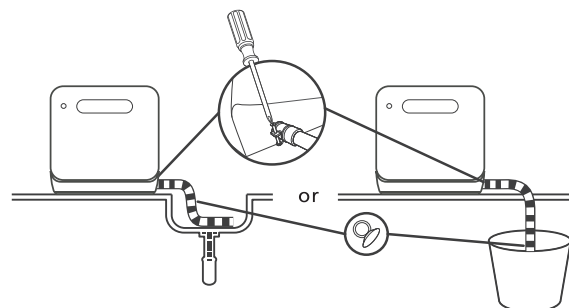
Please read the corresponding content further within the instruction manual for more detailed operating method.

CONNECT TO POWER SUPPLY

- The power supply is 220-240VAC 50 Hz, the specification of the socket is 10 A 250 VAC.

CONNECTING THE DRAIN PIPE

1. Connect the drain pipe: Put this end of the hose into a sink or bucket.
2. Attach the drain pipe to the back outlet of the machine. The drain pipe is fitted with clamps, tighten and secure in place with a screwdriver.
3. Fix in place with the suction cups already included on the hose.



ADDING A WATER SOURCE

Before adding water, press the power button to turn the dishwasher **ON**.

There are 2 ways to add water to the tank:

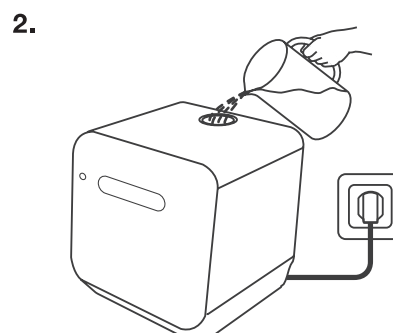
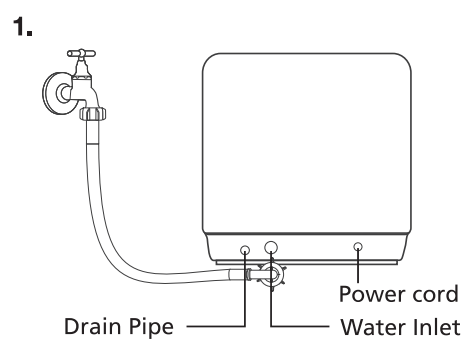
1. VIA INLET HOSE:

Connect to inlet hose to the tap and the other end to the dishwasher.

2. VIA MANUAL FILLING:

Open the cap and add water manually into the dishwasher's tank with the included jug.

When the tank is full of water, the machine will beep rapidly for 3 seconds.



REMOVE EXCESS RESIDUE

Please remove excess residue and large food scraps before placing dishes into the dishwasher.



1300 663 868 | enquiries@aussietraveller.com.au | aussietraveller.com.au

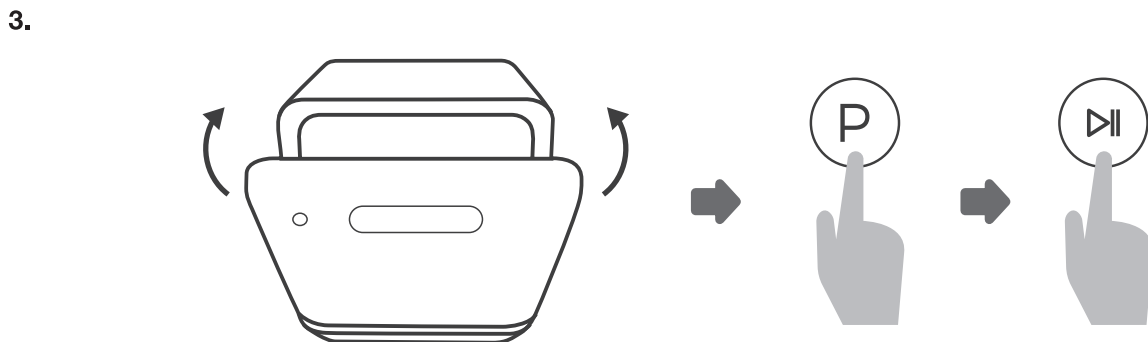
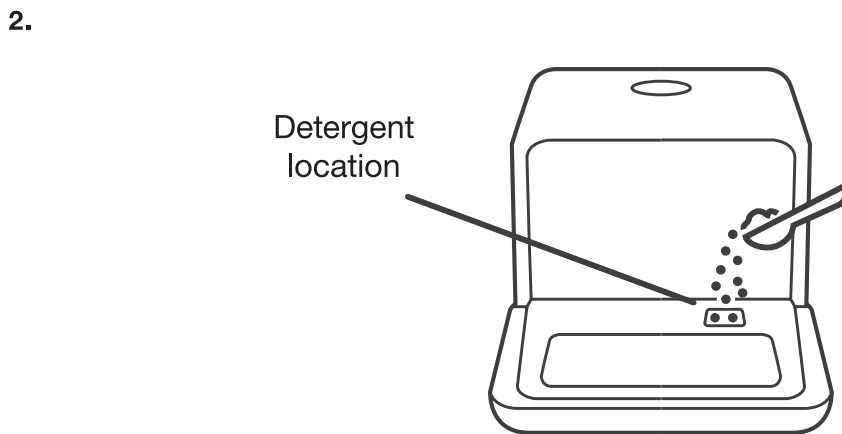
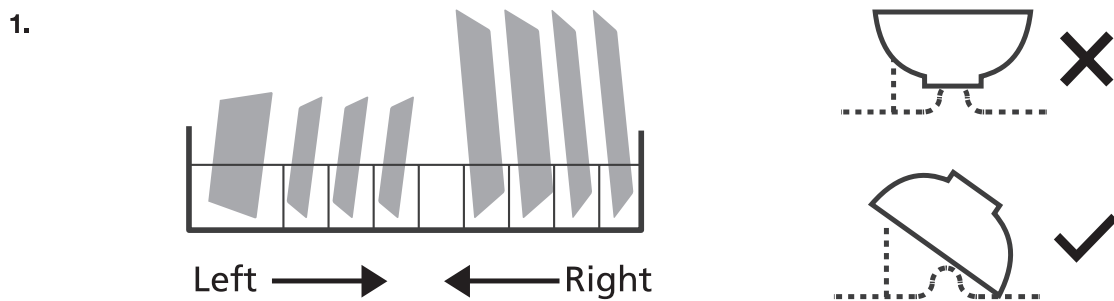
BRISBANE SHOWROOM: 11-15 Oasis Court, Clontarf QLD 4019 | MELBOURNE SHOWROOM: 235 Barry Road, Campbellfield VIC 3061

QUICK START GUIDE (cont.)

LOADING THE DISHWASHER

1. Open the door and place dishes in order of size, starting from the two sides towards the middle. All dishes are recommended to be tilted to improve cleaning performance. Try to leave the dirty side facing towards the spray arm.
2. Add detergent to the machine.
3. Close the door, select program and start the dishwasher

NOTE: The spray arm will be blocked by improper placement of dishes and cleaning may not be effective.



1300 663 868 | enquiries@aussietraveller.com.au | aussietraveller.com.au

BRISBANE SHOWROOM: 11-15 Oasis Court, Clontarf QLD 4019 | MELBOURNE SHOWROOM: 235 Barry Road, Campbellfield VIC 3061

IMPORTANT SAFETY INSTRUCTIONS

WARNING

- This appliance is intended to be used in household and similar applications such as:
 - staff kitchen areas in shops, offices and other working environments;
 - farm houses;
 - by clients in hotels, motels and other residential type environments;
 - bed and breakfast type environments.
- This appliance can be used by children aged from 8 years and above and persons with reduced physical, sensory or mental capabilities or lack of experience and knowledge if they have been given supervision or instruction concerning use of the appliance in a safe way and understand the hazards involved.
- Children shall not play with the appliance. Cleaning and user maintenance shall not be made by children without supervision. (For AS/NZS 2007.1)
- This appliance is not intended for use by persons (including children) with reduced physical, sensory or mental capabilities, or lack of experience and knowledge, unless they have been given supervision or instruction concerning use of the appliance by a person responsible for their safety.
- This appliance is for indoor use only, for household use only.
- To protect against the risk of electrical shock, do not immerse the unit, cord or plug in water or other liquid.
- Please unplug before cleaning and maintaining the appliance
- Use a soft cloth moisten with mild soap, and then use a dry cloth to wipe it again.

EARTHING INSTRUCTIONS

- This appliance must be earthed. In the event of a malfunction or breakdown, earthing will reduce the risk of an electric shock by providing a path of least resistance of electric current. This appliance is equipped with a cord having an equipment earthing conductor and a earthing plug.
- The plug must be plugged into an appropriate outlet that is installed and earthed in accordance with all local codes and ordinances.
- Do not modify the plug provided with the appliance; If it does not fit the outlet. Have a proper outlet installed by a qualified electrician.
- Improper connection of the equipment-earthing conductor can result in the risk of an electric shock.
- Check with a qualified electrician or service representative if you are in doubt whether the appliance is properly earthed.

1300 663 868 | enquiries@aussietraveller.com.au | aussietraveller.com.au

BRISBANE SHOWROOM: 11-15 Oasis Court, Clontarf QLD 4019 | MELBOURNE SHOWROOM: 235 Barry Road, Campbellfield VIC 3061

IMPORTANT SAFETY INSTRUCTIONS (cont.)

GENERAL USE

- Do not abuse, sit on, or stand on the door or dish rack of the dishwasher.
- Do not operate your dishwasher unless all enclosure panels are properly in place.
- Do not use the dishwasher as storage.
- Open the door very carefully if the dishwasher is operating, there is a risk of water squirting out.
- Do not place any heavy objects on or stand on the door when it is open. The appliance could tip forward.
- When loading items to be washed:
 1. Locate sharp items so that they are not likely to damage the door seal;
 2. **WARNING:** Knives and other utensils with sharp points must be loaded in the basket with their points down or placed in a horizontal position.
- Check that the detergent powder is empty after completion of the wash cycle.
- Do not wash plastic items unless they are marked dishwasher safe or the equivalent. For plastic items without mark, check the manufacturer's recommendations.
- Use only detergent additives designed for an automatic dishwasher.
- Never use soap, laundry detergent, or hand washing detergent in your dishwasher.
- Children should be supervised to ensure that they do not play with the appliance.
- The door should not be left open, since this could increase the risk of tripping.
- If the supply cord is damaged, it must be replaced by the manufacturer or its service agent or a similarly qualified person in order to avoid a hazard.
- During installation, the power supply must not be excessively or dangerously bent or flattened.
- Do not tamper with controls.
- The appliance is to be connected to the water mains using new hose sets and that old hose-sets should not be reused.
- The maximum number of place settings to be washed is 3.
- The maximum permissible inlet water pressure is 1MPa.
- The minimum permissible inlet water pressure is 0.04MPa.

DISPOSAL

- For disposing of package and the appliance please go to a recycling centre. Therefore, cut off the power supply cable and make the door closing device unusable.
- Cardboard packaging is manufactured from recycled paper and should be disposed in the waste paper collection for recycling.
- By ensuring this product is disposed of correctly, you will help prevent potential negative consequences for the environment and human health, which could otherwise be caused by inappropriate waste handling of this product.
- For more detailed information about recycling of this product, please contact your local city office and your household waste disposal service.
- **DISPOSAL:** Do not dispose this product as unsorted municipal waste. Collection of such waste separately for special treatment is necessary

1300 663 868 | enquiries@aussietraveller.com.au | aussietraveller.com.au

BRISBANE SHOWROOM: 11-15 Oasis Court, Clontarf QLD 4019 | MELBOURNE SHOWROOM: 235 Barry Road, Campbellfield VIC 3061

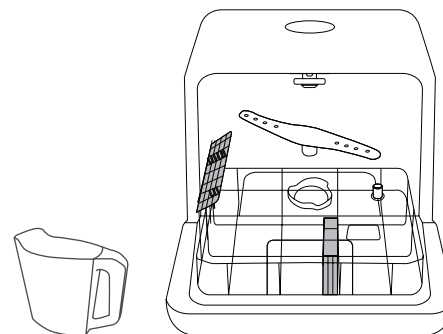
PRODUCT INTRODUCTION

The Aussie Traveller dishwasher is a mini powerhouse that's compact yet mighty, providing top-notch cleaning without taking up valuable space on your benchtop.

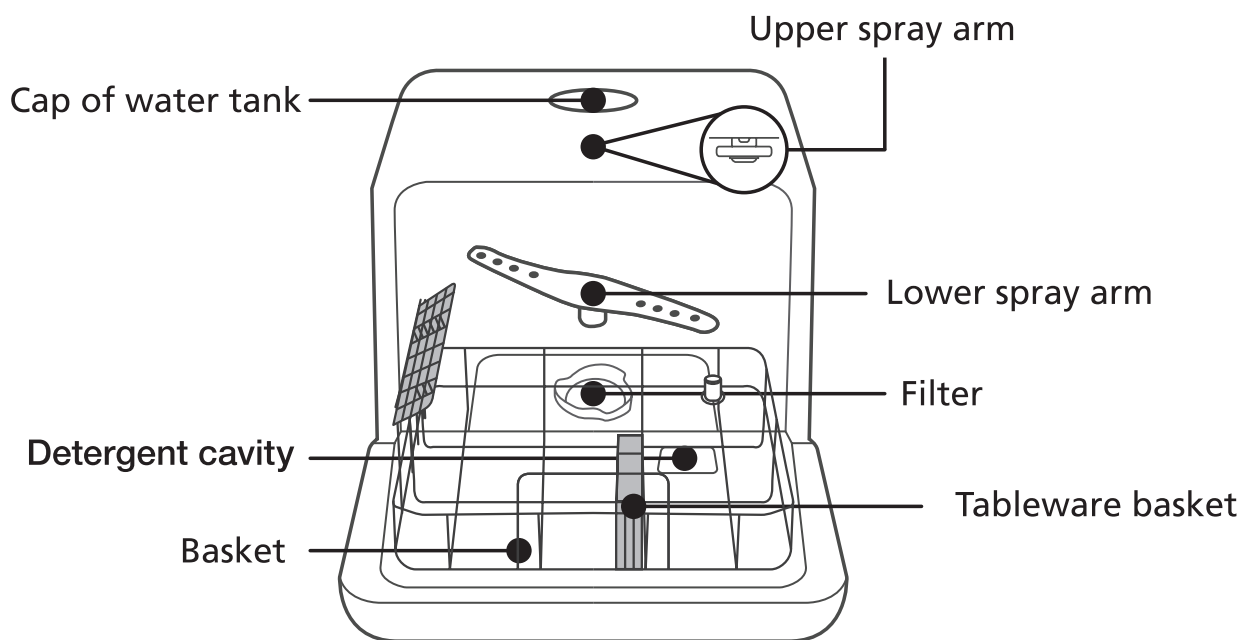
Whether on the road or parked at your favourite campsite, this dishwasher is the perfect companion for explorers offering a range of features that fit with your off-road lifestyle. Easy to set up, the Mini Dishwasher features four convenient wash cycles and holds up to three place settings.

PACKING LIST:

- 1 × Freestanding Mini Dishwasher
- 1 × Rolling Dish Rack
- 1 × Water Jug
- 1 × Water Inlet Hose
- 1 × Water Outlet/Drain Hose with Suction Cups
- 1 × Cutlery Basket



DISHWASHER FEATURES

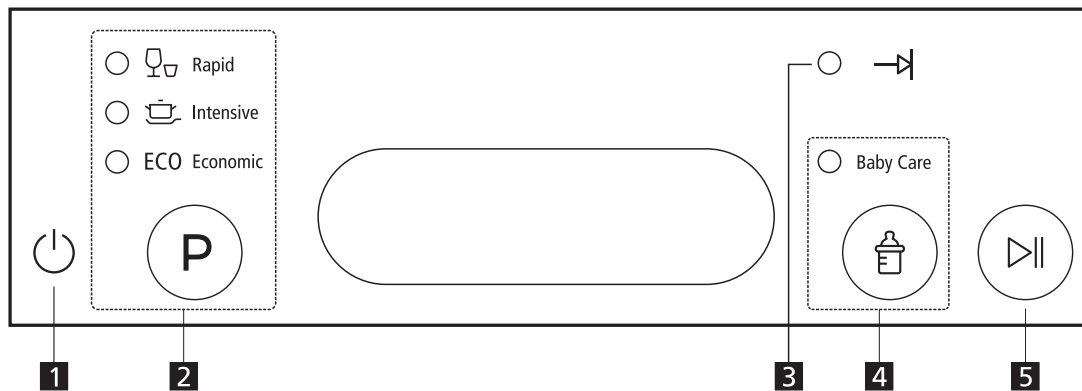




1300 663 868 | enquiries@aussietraveller.com.au | aussietraveller.com.au

BRISBANE SHOWROOM: 11-15 Oasis Court, Clontarf QLD 4019 | MELBOURNE SHOWROOM: 235 Barry Road, Campbellfield VIC 3061

PRODUCT INTRODUCTION (cont.)

CONTROL PANEL



DESCRIPTION	FUNCTION
1. Power	To turn on and off.
2. Program	<p>Program Button: Press the button to select between wash cycles:</p> <p> Rapid A shorter wash for lightly soiled loads that do not need drying.</p> <p> Intensive For extremely dirty cooking tools and cutlery using, it will dry the dishes after washing. (Steam adding)</p> <p>ECO ECO This is standard program; it is suitable to clean normally soiled tableware and it is the most efficient program in terms of its combined energy and water consumption for that type of tableware.</p>
3. Program End	When the program is end, the indicator will be lit.
4. Baby Care	A special program for washing baby bottles. (Steam adding)
5. Start/Pause	Press this button to start or pause the dishwasher.

1300 663 868 | enquiries@aussietraveller.com.au | aussietraveller.com.au

BRISBANE SHOWROOM: 11-15 Oasis Court, Clontarf QLD 4019 | MELBOURNE SHOWROOM: 235 Barry Road, Campbellfield VIC 3061

OPERATION

LOADING THE DISHWASHER

RECOMMENDATIONS:

- Consider buying utensils which are identified as dishwasher-proof.
- Use a mild detergent that is described as 'kind to dishes'. If necessary, seek further information from detergent manufacturers.
- For particular items, select a program with as low temperature as possible.
- To prevent damage, do not take glass and cutlery out of the dishwasher immediately after the program has ended.

SUITABILITY OF USE IN THE DISHWASHER

LIMITED SUITABILITY	NOT SUITABLE
<ul style="list-style-type: none">• Some glasses can become dull after a large number of washes.• Silver and aluminium tend to discolour during washing.• Glazed patterns may fade if washed frequently.	<ul style="list-style-type: none">• Cutlery with wooden, horn, china or mother-of-pearl handles• Plastic items that are not heat resistant• Older cutlery with glued parts that are not temperature resistant• Bonded cutlery items or dishes• Pewter or copper items• Crystal glass• Steel items subject to rusting• Wooden items• Items made from synthetic fibres

ATTENTION BEFORE OR AFTER LOADING THE DISHWASHER BASKETS:

(For the best performance of the dishwasher, follow these loading guidelines. Features and appearance of baskets and cutlery baskets may vary from your model.)

Scrape off any large food particles. Soften remnants of burnt food in pans. It is not necessary to rinse the dishes under running water. Place objects in the dishwasher in following way:

- Items such as cups, glasses, pots/pans, etc. are facing downwards.
- Curved items, or those with recesses, should be loaded at an angle so that water can run off.
- All utensils are stacked securely and cannot tip over.
- Load hollow items such as cups, glasses, pans etc. with the opening facing downwards so that water cannot collect in the container or a deep base.
- Dishes and items of cutlery must not lie inside one another or cover each other.
- To avoid damage to glasses, they must not be touched.
- Long bladed knives stored in an upright position are a potential hazard!
- Long and/or sharp items of cutlery such as carving knives must be positioned horizontally in the basket.
- Please do not overload your dishwasher. This is important for good results and for reasonable energy consumption.

NOTE: Very small items should not be washed in the dishwasher as they could easily fall out of the basket.

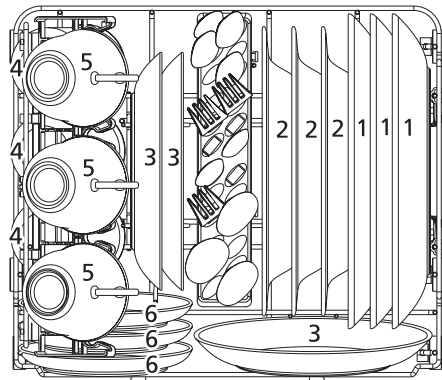
1300 663 868 | enquiries@aussietraveller.com.au | aussietraveller.com.au

BRISBANE SHOWROOM: 11-15 Oasis Court, Clontarf QLD 4019 | MELBOURNE SHOWROOM: 235 Barry Road, Campbellfield VIC 3061

OPERATION (cont.)

LOADING THE DISH RACK

Position the dishes and cookware so that they will not get moved by the spray of water.

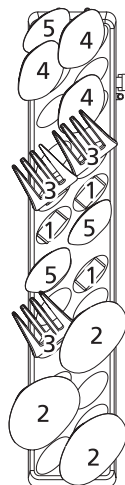


Number	Item
1	Dinner Plate
2	Soup Plate
3	Dessert Dish
4	Glass
5	Cup
6	Saucer

LOADING THE CUTLERY BASKET

For personal safety and a top quality clean, make sure to place the silverware in the basket as follows:

- They do not nest together.
- Place silverware with handles-down.
- But place knives and other potentially dangerous utensils handles-up.

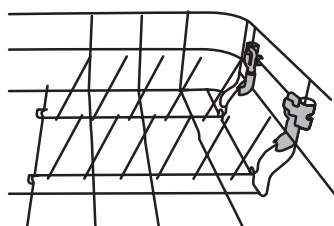


Number	Item
1	Knife
2	Table Spoon
3	Fork
4	Dessert spoon
5	Teaspoon

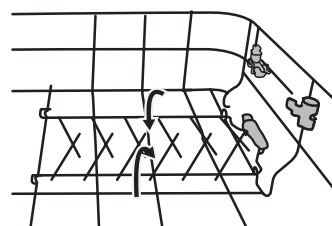
FOLDING DOWN THE RACKS FOR BIGGER ITEMS

The spikes are used for holding plates and a bowls. They can be lowered/folded down to make more room for larger items.

raise upwards



fold backwards



1300 663 868 | enquiries@aussietraveller.com.au | aussietraveller.com.au

BRISBANE SHOWROOM: 11-15 Oasis Court, Clontarf QLD 4019 | MELBOURNE SHOWROOM: 235 Barry Road, Campbellfield VIC 3061

OPERATION (cont.)

FILLING THE DISPENSER

WARNING

- Only use detergent specifically for dishwashers. Never use any other detergents as this will damage the appliance.
- Dishwasher detergent is corrosive! Keep dishwasher detergent out of reach of children.



CONCENTRATED DETERGENT

Based on their chemical composition, detergents can be split in two basic types:

- Conventional, alkaline detergents with caustic components.
- Low alkaline concentrated detergents with natural enzymes.

The use of Normal washing program in combination with concentrated detergent reduces pollution and is good for your dishes.

DETERGENT TABLETS

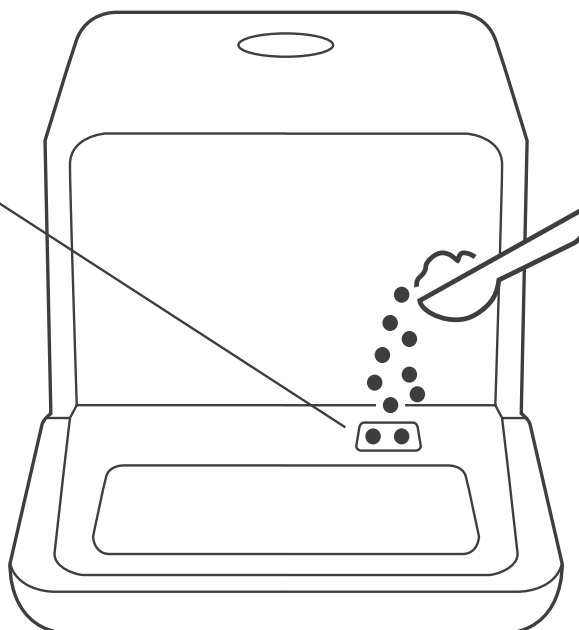
Detergent tablets of different brands dissolve at different speeds. For this reason, some detergent tablets cannot dissolve and develop their full cleaning power during short Programs. Therefore, please use long programs when using detergent tablets, to ensure the complete removal of detergent residuals.

DETERGENT

The detergent must be refilled before the start of each wash cycle following the instructions provided in the Wash Cycle Table. Your dishwasher uses less detergent than conventional dishwasher. Generally, only one tablespoon of detergent is needed for a normal wash load. More heavily soiled items need more detergent. Always add the detergent just before starting the dishwasher, otherwise it could get damp and will not dissolve properly.

ADDING DETERGENT

Load the detergent here







1300 663 868 | enquiries@aussietraveller.com.au | aussietraveller.com.au

BRISBANE SHOWROOM: 11-15 Oasis Court, Clontarf QLD 4019 | MELBOURNE SHOWROOM: 235 Barry Road, Campbellfield VIC 3061

OPERATION (cont.)

PROGRAMMING THE DISHWASHER

The table below shows which programs are best for the levels of food residue on them and how much detergent is needed. It also shows various information about the programs.

PROGRAM	DESCRIPTION	CYCLE DETAIL	DETERGENT	TIME (MINS)	ENERGY	WATER
 ECO (*AS/NZS 2007.1)	This is standard programme, it is suitable to clean normally soiled tableware and it is the most efficient programme in terms of its combined energy and water consumption for that type of tableware.	Wash (47°C) Rinse Rinse (64°C) Drying	7g	175	0.368kWh	4.95L
 Intensive	For heavily soiled items include pots and pans. With dried on food.	Wash (65°C) Rinse Rinse (70°C) Drying	7g	185	0.46kWh	5L
 Rapid	A shorter wash for lightly soiled loads and quick wash.	Wash (50°C) Rinse Rinse (60°C)	6g	29	0.32kWh	5L
 Baby Care	Suitable for washing baby bottles	Wash (69°C) Rinse Rinse (70°C) Drying	6g	120	0.5kWh	5L

NOTE: AS/NZS 2007.1 : This program is the test cycle. The information for comparability test in accordance with AS/NZS 2007.1, are as follows:

- The power consumption of off-mode is 0.57W, left-on mode is 0.74W.

STARTING THE WASH CYCLE

- Draw out the basket (see the section entitled “Loading the Dishwasher”).
- Pour in the detergent (see the section “Filling the Dispenser”).
- Insert the plug into the socket. The power supply is 220-240VAC 50 HZ, the specification of the socket is 10 A 250 VAC.
- Press the power button to turn on the appliance.
- Connect the inlet hose to the tap, make sure that the water supply is turned on to full pressure, or add water to the tank manually.
- Select a suitable program according to the table above.
- If a program is selected, the response light will be on. Then press the Start/ Pause button, the dishwasher begins to start.

NOTE: When you press the Start/ Pause to pause during a wash cycle, the dishwasher will beep every minute unless you press the Start/Pause button to start.

1300 663 868 | enquiries@aussietraveller.com.au | aussietraveller.com.au

BRISBANE SHOWROOM: 11-15 Oasis Court, Clontarf QLD 4019 | MELBOURNE SHOWROOM: 235 Barry Road, Campbellfield VIC 3061

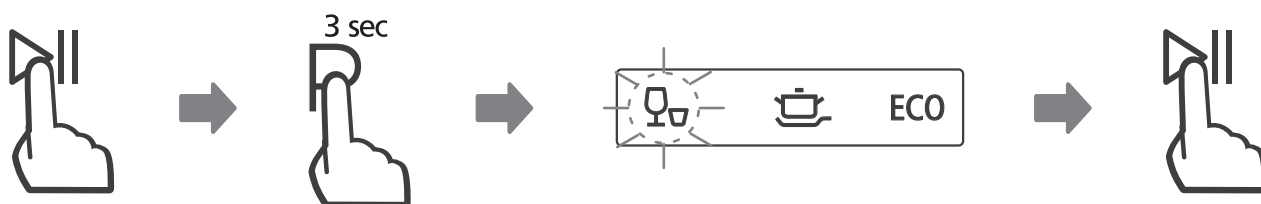
OPERATION (cont.)

PROGRAMMING THE DISHWASHER (cont.)

CHANGE THE PROGRAM

A wash cycle can only be changed if it has been running for a short time otherwise, the detergent may have already been released and the dishwasher may have already drained the wash water. If this is the case, the dishwasher needs to be reset, and the detergent dispenser must be refilled. To reset the dishwasher, follow the instructions below:

1. Press the Start/Pause button to pause the washing.
2. Press Program button for more than 3 seconds, the machine will be in stand by state.
3. Press the program button to select the desired program.
4. Press the Start/Pause button, after 10 seconds, the dishwasher will start water to the tank manually.



NOTE: If you want to open the door during washing, please press the Start/Pause button to pause the machine first. And then when you close the door and press the Start/Pause button, the machine will keep on working after 10 seconds.

AT THE END OF THE WASH CYCLE

When the working cycle has finished, the buzzer will sound for 8 seconds, then stop. Turn off the appliance using the ON/OFF button, shut off the water supply and open the door of the dishwasher. Wait a few minutes before unloading the dishwasher to avoid scalding, the dishes and utensils are still hot and more susceptible to breakage. They will also dry better.

- **Switch off the dishwasher**
Switch off the dishwasher by pressing the ON/OFF button. Don't forget to turn off the water tap!
- **Open the door carefully**
Hot dishes are sensitive to knocks. The dishes should be allowed to cool down around 15 minutes before removing from the appliance.
Open the dishwasher's door, leave it ajar and wait a few minutes before removing the dishes. In this way they will be cooler, and the drying will be improved.
- **Unloading the dishwasher**
It is normal that the dishwasher is wet inside.

⚠ WARNING: IT IS DANGEROUS TO OPEN THE DOOR WHEN WASHING, BECAUSE THE HOT WATER MAY SCALD YOU.

DRAINING THE WATER TANK

In standby mode, you can press and hold "Program" button + "Baby care" button for 3 seconds simultaneously to drain the water tank.

1300 663 868 | enquiries@aussietraveller.com.au | aussietraveller.com.au

BRISBANE SHOWROOM: 11-15 Oasis Court, Clontarf QLD 4019 | MELBOURNE SHOWROOM: 235 Barry Road, Campbellfield VIC 3061

MAINTENANCE

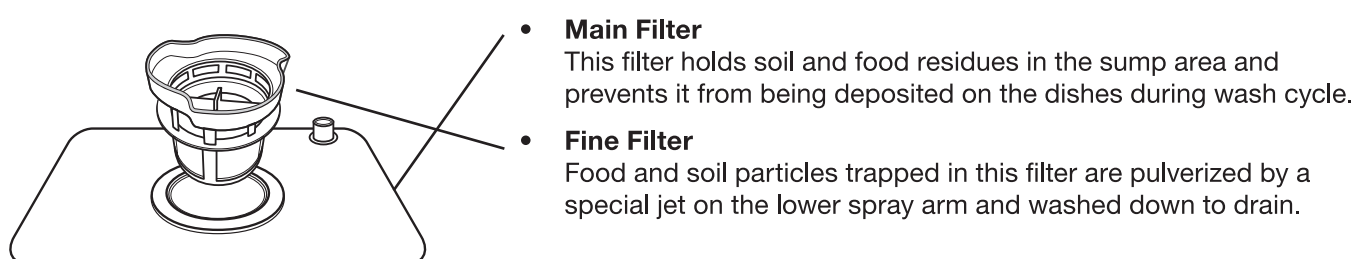
FILTER SYSTEM

⚠ WARNING: NEVER USE THE DISHWASHER WITHOUT FILTERS!
MAKE SURE THE FILTER IS PROPERLY ASSEMBLED. THE PERFORMANCE MAY BE AFFECTED AND DISHES AND UTENSILS COULD BECOME DAMAGED..

The filter efficiently removes food particles from the wash water, allowing it to be recycled during the cycle.

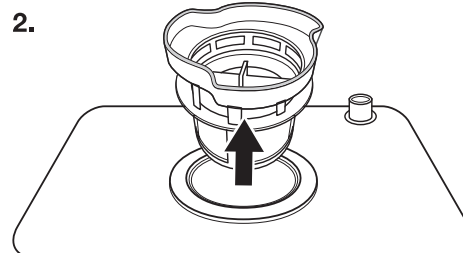
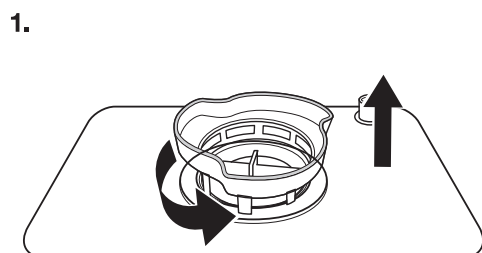
For best performance and results, the filter assembly must be cleaned regularly. For this reason, it is a good idea to remove the larger food particles trapping in the filter after each wash cycle by rinsing the filter and cup under running water.

To remove the filter assembly, pull the cup handle in the upward direction.



DISASSEMBLING THE FILTER

1. Contrarotate the filter assembly, then lift it all up.
2. Lift fine filter up from main filter.



NOTE: Step 1 then step 2 to remove. Reverse steps to reinstall the filter.

- Check the filters for blockages after every time the dishwasher has been used.
- By unscrewing the main filter, you can remove the filter system. Remove any food remnants and clean the filters under running water.

⚠ WARNING: BE CAREFUL NOT TO KNOCK THE FILTERS WHEN YOU ARE CLEANING THEM. OTHERWISE, THE FILTERS MAY BE CONTORTED AND THE PERFORMANCE OF THE DISHWASHER IS DECREASED.

1300 663 868 | enquiries@aussietraveller.com.au | aussietraveller.com.au

BRISBANE SHOWROOM: 11-15 Oasis Court, Clontarf QLD 4019 | MELBOURNE SHOWROOM: 235 Barry Road, Campbellfield VIC 3061

MAINTENANCE (cont.)

CARING FOR THE DISHWASHER

The control panel can be cleaned by using a lightly dampened cloth. After cleaning, make sure to dry it thoroughly. Never use sharp objects, scouring pads or harsh cleaners on any part of the dishwasher.

CLEANING THE DOOR

To clean the edge around the door, use only a soft, warm, damp cloth. To avoid penetration of water into the door lock and electrical components, do not use a spray cleaner of any kind.

⚠ WARNING

- **NEVER USE A SPRAY CLEANER TO CLEAN THE DOOR PANEL AS IT MAY DAMAGE THE DOOR LOCK AND ELECTRICAL COMPONENTS.**
- **ABRASIVE AGENTS OR SOME PAPER TOWEL SHOULD NOT BE USED BECAUSE OF THE RISK OF SCRATCHING OR LEAVING SPOTS ON THE STAINLESS STEEL SURFACE.**

PROTECT AGAINST FREEZING

Please take frost protection measures on the dishwasher in winter. After every washing cycle, please operate as per the following:

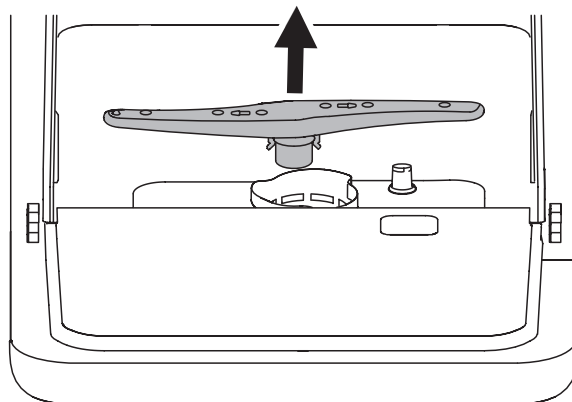
1. Cut off electrical power to the dishwasher.
2. Turn off the water supply and disconnect the water inlet pipe from the water valve.
3. Drain water from the inlet pipe and water valve (Use a pan to catch the water).
4. Reconnect the water inlet pipe to the water valve.
5. Remove the filter at the bottom of the tub and use a sponge to soak up water in the sump.

NOTE: If your dishwasher cannot work because of the ice, please contact authorised service person.

CLEANING THE SPRAY ARMS

The spray arms can be easily removed for periodic cleaning of the nozzles to prevent possible clogging. Wash them under running water and carefully replace them in their seats, checking that their rotary movement is in no way impeded.

Grasp the middle of the spray arm, pull it upwards to remove it. Wash the arms under a jet of running water and replace it carefully to its seat. After reassembly, check that the spray arms rotate freely. Otherwise, check that they have been installed correctly.



1300 663 868 | enquiries@aussietraveller.com.au | aussietraveller.com.au

BRISBANE SHOWROOM: 11-15 Oasis Court, Clontarf QLD 4019 | MELBOURNE SHOWROOM: 235 Barry Road, Campbellfield VIC 3061

MAINTENANCE (cont.)

GENERAL DISHWASHER MAINTENANCE

AFTER EVERY WASH

After every wash, turn off the water supply to the appliance and leave the door slightly open so that moisture and odours are not trapped inside.

REMOVE THE PLUG

Before cleaning or performing maintenance, always remove the plug from the socket.

NO SOLVENTS OR ABRASIVE CLEANING

To clean the exterior and rubber parts of the dishwasher, do not use solvents or abrasive cleaning products. Only use a cloth with warm soapy water.

To remove spots or stains from the surface of the interior, use a cloth dampened with water and a little vinegar, or a cleaning product made specifically for dishwashers.

WHEN NOT IN USE FOR A LONG TIME

It is recommended that you run a wash cycle with the dishwasher empty and then remove the plug from the socket, turn off the water supply and leave the door of the appliance slightly open. This will help the door seals to last longer and prevent odours from forming within the appliance.

MOVING THE APPLIANCE

If the appliance must be moved, try to keep it in the vertical position. If absolutely necessary, it can be positioned on its back.

1300 663 868 | enquiries@aussietraveller.com.au | aussietraveller.com.au

BRISBANE SHOWROOM: 11-15 Oasis Court, Clontarf QLD 4019 | MELBOURNE SHOWROOM: 235 Barry Road, Campbellfield VIC 3061

INSTALLATION



⚠ WARNING - ELECTRICAL SHOCK HAZARD

- Disconnect electrical power before installing dishwasher.
- Failure to do so could result in death or electrical shock.

⚠ ATTENTION

The installation of the pipes and electrical equipments should ONLY be done by professionals.

INSTALLATION PREPARATION

The installation position of dishwasher should be near the existing water inlet tap, drain outlet and power socket. One side of the cabinet sink should be chosen to facilitate the connection of drain hoses of the dishwasher.

POSITIONING THE APPLIANCE

Position the appliance in the desired location. The back should rest against the wall behind it, and the sides, along the adjacent cabinets or wall. The dishwasher is equipped with water supply and drain hoses that can be positioned to the right or the left to facilitate proper installation.

CONNECTING TO POWER

⚠ WARNING

For personal safety:

- Do not use an extension cord or an adapter plug with this appliance.
- Do not, under any circumstances, cut or remove the earthing connection from the power cord.

ELECTRICAL REQUIREMENTS

Please look at the rating label to know the rating voltage and connect the dishwasher to the appropriate power supply. Use the required fuse 10 amp, time delay fuse or circuit breaker recommended and provide separate circuit serving only this appliance.

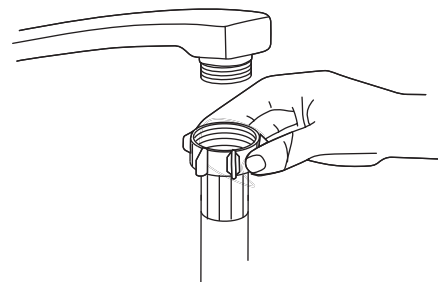
ELECTRICAL CONNECTION

Ensure the voltage and frequency of the power being corresponds to those on the rating plate. Only insert the plug into an electrical socket which is earthed properly. If the electrical socket to which the appliance must be connected is not appropriate for the plug, replace the socket, rather than using a adaptors or the like as they could cause overheating and burns.

⚠ ENSURE THAT PROPER EARTHING EXISTS BEFORE USE.

CONNECTING TO WATER

Connect the cold water supply hose to a threaded 3/4(inch) connector (*fitting not included*) and make sure that it is fastened tightly in place. If the water pipes are new or have not been used for an extended period of time, let the water run to make sure that the water is clear and free of impurities. If this precaution is not taken, there is a risk that the water inlet can get blocked and damage the appliance.

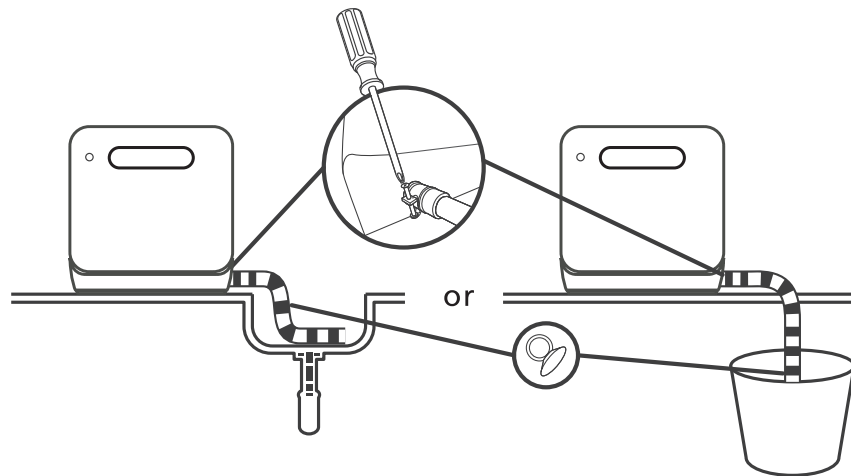


1300 663 868 | enquiries@aussietraveller.com.au | aussietraveller.com.au

BRISBANE SHOWROOM: 11-15 Oasis Court, Clontarf QLD 4019 | MELBOURNE SHOWROOM: 235 Barry Road, Campbellfield VIC 3061

INSTALLATION (cont.)

CONNECTING THE DRAIN HOSE



1. Connect the drain pipe: Put this end of the hose into a sink or bucket.
2. Attach the drain pipe to the back outlet of the machine. The drain pipe is fitted with clamps, tighten and secure in place with a screwdriver.
3. Fix in place with the suction cups already included on the hose.

HOW TO DRAIN EXCESS WATER FROM THE HOSE

If the sink is more than 1000mm higher than the floor, the excess water in hoses cannot be drained directly into the sink. It will be necessary to drain excess water from hoses into a bowl or suitable container that is held outside and lower than the sink.

WATER OUTLET

Connect the water drain hose. The drain hose must be correctly fitted to avoid water leaks. Ensure that the water drain hose is not kinked or squashed.

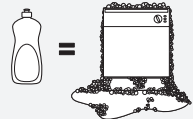
EXTENSIONS HOSE

If you need a drain hose extension, make sure to use a similar drain hose. It must be no longer than 4 metres, otherwise the cleaning effect of the dishwasher could be reduced.

1300 663 868 | enquiries@aussietraveller.com.au | aussietraveller.com.au

BRISBANE SHOWROOM: 11-15 Oasis Court, Clontarf QLD 4019 | MELBOURNE SHOWROOM: 235 Barry Road, Campbellfield VIC 3061

TROUBLESHOOTING

PROBLEM	CAUSE	SOLUTION
Dishwasher doesn't start	Fuse blown, or the circuit break tripped.	Replace fuse or reset circuit breaker. Remove any other appliances sharing the same circuit with the dishwasher.
	Power supply is not turned on.	Make sure the dishwasher is turned on and the door is closed securely. Make sure the power cord is properly plugged into the wall socket.
	Water inflow abnormal; Water pressure is low.	Check that the water supply is connected properly, and the water is turned on.
	Door of dishwasher not properly closed.	Make sure to close the door properly and latch it.
Water not pumped from dishwasher	Twisted or trapped drain hose.	Check the drain hose.
	Filter clogged.	Check the main filter.
	Kitchen sink clogged.	Check the kitchen sink to make sure it is draining well. If the problem is the kitchen sink that is not draining, you may need a plumber rather than a serviceman for dishwashers.
Suds in the dishwasher	Wrong detergent. 	Use only the dedicated dishwasher detergent to avoid suds. If suds exist in the washer: open the door for 20-30 minutes to allow the foam to evaporate. If the foam still exists in the liner. Add 1.5L of water to the liner, close the dishwasher door and run a forced drain to drain it with the water. Repeat above operation until the foam is cleared.
Stained interior	Detergent with colourant may have been used.	Make sure that the detergent has no colourant.
White film on the inside surface	Hard water minerals.	To clean the interior, use a damp sponge with dishwasher detergent and wear rubber gloves. Never use any other cleaner than dishwasher detergent otherwise, it may cause foaming or suds.
There are rust stains on cutlery	The affected items are not corrosion resistant.	Avoid washing items that are not corrosion resistant in the dishwasher.
	A program was not run after dishwasher salt was added. Traces of salt have gotten into the wash cycle.	Always run a wash program without any crockery after adding salt. Do not select the Turbo function (if present).
	The lid of the softener is loose.	Check the softener lid is secure
Knocking noise in the dishwasher	A spray arm is knocking against an item in a basket	Interrupt the program and rearrange the items which are obstructing the spray arm.
Rattling noise in the dishwasher	Items of crockery are loose in the dishwasher.	Interrupt the program and rearrange the items of crockery.
Knocking noise in the water pipes	This may be caused by on-site installation or the cross-section of the piping.	This has no influence on the dishwasher function. If in doubt, contact a qualified plumber.
The dishes are not clean	The dishes were not loaded correctly.	See notes in "Loading the Dishwasher".
	The program was not powerful enough.	Select a more intensive program.
	Not enough detergent was dispensed.	Use more detergent or change your detergent.
	Items are blocking the movement of the spray arms.	Rearrange the items so that the spray can rotate freely.
	The filter combination is not clean or is not correctly fitted in the base of dishwasher cabinet. This may cause the spray arm jets to get blocked.	Clean and/or fit the filter correctly. Clean the spray arm jets.
Cloudiness on glassware	Combination of soft water and too much detergent.	Use less detergent if you have soft water and select a shorter cycle to wash the glassware and to get them clean.
White spots appear on dishes and glasses	Hard water area can cause limescale deposits.	Add more detergent.
Black or grey marks on dishes	Aluminium utensils have rubbed against dishes.	Use a mild abrasive cleaner to eliminate those marks.
Detergent left in dispenser	Dishes blocking detergent dispenser.	Re-load the dishes properly.
The dishes are not drying	Improper loading	Re-load the dishes properly.
	Dishes are removed too soon	Do not empty your dishwasher immediately after washing. Open the door slightly so that the steam can come out. Take out the dishes until the inside temperature is safe to touch. Unload the lower basket first to prevent the dropping water from the upper basket.
	Wrong program has been selected.	With a short program, the washing temperature is lower, decreasing cleaning performance. Choose a program with a longer washing time.
	Use of cutlery with a low-quality coating.	Water drainage is more difficult with these items. Cutlery or dishes of this type are not suitable for washing in the dishwasher.

1300 663 868 | enquiries@aussietraveller.com.au | aussietraveller.com.au

BRISBANE SHOWROOM: 11-15 Oasis Court, Clontarf QLD 4019 | MELBOURNE SHOWROOM: 235 Barry Road, Campbellfield VIC 3061

ERROR SIGNALS

When some malfunctions come occur, the appliance will show a signal to warn you:

SIGNAL	MEANING	POSSIBLE CAUSES
The Baby Care light flickers rapidly	Longer inlet time.	A flow meter, drain valve, or pump failure. This should be repaired by a qualified worker.
The ECO & Baby Care light flicker rapidly	Not reaching required temperature.	Heating tube or thermistor anomaly. This should be repaired by a qualified worker.
The Intensive light flickers rapidly	Overflow.	Some element of dishwasher leaks.
The Rapid and Baby Care lights flicker rapidly	Touch button adhesion.	Water or other material in the key area causes it or it should be repaired by a qualified worker.
The Rapid, Intensive and Baby Care lights flicker rapidly	Communication anomaly.	This should be repaired by a qualified worker.
The Rapid and ECO lights flicker rapidly	Steam generator anomaly.	This should be repaired by a qualified worker
The Rapid, Intensive, ECO and Baby Care lights keep flashing	Water tank doesn't get enough water within 3 minutes.	Add more water until you hear a quick beep. Then press Start/Pause button to make sure the machine works properly.

WARNING



- If overflow occurs, turn off the main water supply before calling a service.
- If there is water in the base pan because of an overflow or small leak, the water should be removed before restarting the dishwasher.

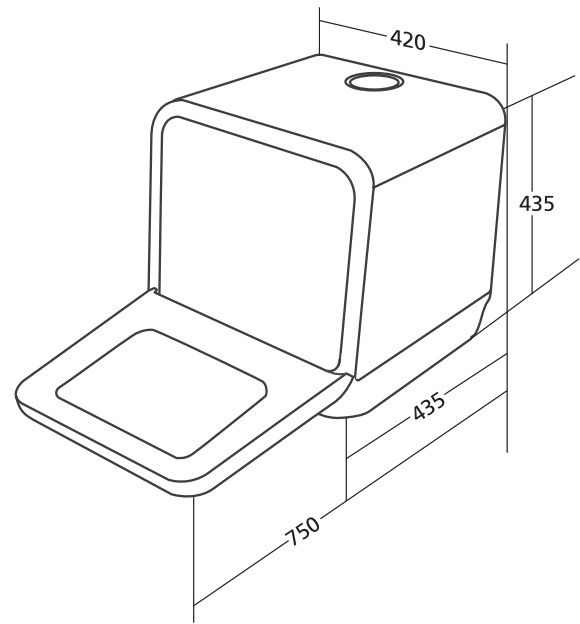
1300 663 868 | enquiries@aussietraveller.com.au | aussietraveller.com.au

BRISBANE SHOWROOM: 11-15 Oasis Court, Clontarf QLD 4019 | MELBOURNE SHOWROOM: 235 Barry Road, Campbellfield VIC 3061

TECHNICAL INFORMATION

SPECIFICATIONS

CAPACITY	3 place settings
WATER TANK CAPACITY	5L
WATER PRESSURE	0.04-1.00MPa
RATED VOLTAGE	220-240V~ 50Hz
RATED POWER	730-860W
PRODUCT DIMENSIONS (L×W×H):	420×435×435mm
WEIGHT	13.7kg



WATER & ENERGY RATING

The more stars the more energy efficient

ENERGY RATING

A joint government and industry program
Aussie Traveller dishwasher Model 5100020013000
3 place settings

Energy Consumption
138.5
kWh per year
Cold water connection, using
ECO program seven times per week

When tested in accordance with AS/NZS 2007.2.
Actual energy use and running costs will depend on how you use the appliance.

For more information, look up
www.energyrating.gov.au

The more stars the more water efficient

WATER RATING

www.waterrating.gov.au

4.95 litres per wash

In accordance with AS/NZS 6400

1300 663 868 | enquiries@aussietraveller.com.au | aussietraveller.com.au

BRISBANE SHOWROOM: 11-15 Oasis Court, Clontarf QLD 4019 | MELBOURNE SHOWROOM: 235 Barry Road, Campbellfield VIC 3061

WARRANTY STATEMENT

Aussie Traveller Pty Ltd ACN 642 775 460 (**Aussie Traveller**) offers the following warranty in relation to the products it supplies directly or through an authorised manufacturer, dealer or approved service repair agent (**Product**).

Australian Consumer Law

The benefits of this warranty are in addition to any rights and remedies imposed by Australian State and Federal legislation that cannot be excluded. Nothing in this warranty is to be interpreted as excluding, restricting or modifying any State or Federal legislation applicable to the supply of goods and services which cannot be excluded, restricted or modified.

If you are a consumer as defined in the Australian Consumer Law: *Our goods come with guarantees that cannot be excluded under the Australian Consumer Law. You are entitled to a replacement or refund for a major failure and compensation for any other reasonably foreseeable loss or damage. You are also entitled to have the goods repaired or replaced if the goods fail to be of acceptable quality and the failure does not amount to a major failure.*

Warranty

Aussie Traveller warrants that, subject to the exclusions and limitations below, all parts of the manufacture and assembly of the Product will be free from defects in materials and workmanship (**Warranty**) for a period of 12 months from the date of purchase as follows:

1. This Warranty is activated at the time of purchase by the final retail customer (being the owner of the Product).
2. In the event the Product is purchased by a manufacturer, dealer or approved service repair agent, this Warranty will commence at the time the final retail customer makes payment for the Product to the wholesale purchaser.
3. If the Product is purchased directly from Aussie Traveller for use by final retail customer and not to be on sold in any way, the Warranty will commence at the time of the original purchase.

Warranty Period

This Warranty cannot be assigned or transferred to a subsequent owner of the Product.

The purchaser or final retail customer should inspect the Product immediately when received or at vehicle handover, to ensure that it appears free from any damage or defect, and matches the description provided.

If after accepting the Product, a defect appears in the manufacture or assembly of the Product before the end of the Warranty Period and Aussie Traveller finds the Product to be defective in materials or workmanship, Aussie Traveller will, in its sole discretion, either:

- a. replace, repair or refund the Product or the defective part of the Product free of charge; or
- b. cause the Product or the defective part of the Product to be replaced or repaired by a qualified repairer free of charge.

In arranging Warranty inspection, service and repair, Aussie Traveller will seek to provide the details of an approved service agent within your geographic area. Should one not be available, or if the Product is in use in travel, Aussie Traveller reserves the right to seek to arrange a repair or replacement at the next available location on the route of travel.

Aussie Traveller reserves the right to replace defective parts of the Product with parts and components of similar quality, grade and composition where an identical part or component is not available.

Products presented for repair may be replaced by refurbished goods of the same type rather than being repaired. Refurbished parts may be used to repair the Product.

Aussie Traveller Awning Products

This Warranty covers specified defects in materials or workmanship for Awning Products as follows:

1. The vinyl fabric is warranted against:
 - a. holes caused by mildew (mildew will form on dust and dirt and stain fabric if fabric is not kept clean).
 - b. excessive cracking, peeling, hardening or loss of strength while used under normal conditions.
 - c. excessive fading (a slight colour change may occur due to ultraviolet rays).
2. All hardware components including the roller are warranted not to bend or break under normal use (excluding high winds, water pooling and accidents).

Making a Warranty Claim

If a defect covered by this Warranty appears, the Customer must first contact Aussie Traveller within 7 days of first becoming aware of the defect. Aussie Traveller will assist the Customer to rectify and resolve any Product issue that may arise.

When making a claim under this Warranty, Aussie Traveller requires that the following information be provided before any further action will be taken.

1. Original Invoice (Document or Number);
2. Make and model of the Product;
3. Make and model of the vehicle (if Product fitted);
4. Vehicle build date (if Product fitted);
5. Vehicle chassis number;
6. Description of damage and/or repair required;
7. Photos of the damage and/or repair; and
8. Appropriate documentation (such as historical and maintenance records).

Aussie Traveller reserves the right to request more information or images should what is provided not be sufficient to make an assessment for the Warranty claim.

The Product must be made available to Aussie Traveller or its authorised repair agent for inspection and testing. If such inspection and testing find no defect in the Product, the final retail customer must pay Aussie Traveller's usual costs of service work and testing.

The final retail customer must bear the cost of the transport of the Product to and from Aussie Traveller or the authorised repair agent, and all insurance of the Product.

Exclusions

This Warranty will not apply where:

- the Product has been repaired, altered or modified by someone other than Aussie Traveller, or without the written consent of Aussie Traveller or an authorised repair agent;
- the alleged defect in the Product is within acceptable industry tolerances and variances;
- Aussie Traveller cannot establish any fault in the Product after testing and inspection;
- the Product has been used other than for the purpose for which it was designed;
- the alleged defect in the Product has arisen due to the final retail customer's failure to properly use and maintain the Product in accordance with any of Aussie Traveller's instructions, recommendations and specifications (including applicable maintenance schedules);
- the alleged defect in the Product has arisen due to the final retail customer's request to customise the Product;
- the Product has been subject to abnormal conditions, including environment, temperature, high or excessive wind, water, fire, humidity, pressure, stress or similar;
- the alleged defect has arisen due to abuse, misuse, neglect or accident;
- unauthorised parts or accessories have been used on or in relation to the Product;
- the Product has been overloaded or involved in an accident;
- the alleged damage or defect has been caused by normal wear and tear;
- the alleged damage to fabric has been caused by storm, wind or rain, or stretching of fabric caused by water pooling on fabric;
- breakage or bending of hardware components has been caused by storm, wind or rain, or water pooling on fabric.

Replacement Warranty Item

If, under Warranty, a Product is replaced or repaired by Aussie Traveller or an Aussie Traveller agent, unless provided in writing to indicate otherwise, the replacement Product will carry the **remaining** Warranty terms and conditions, including length of time, of the original purchased Product.

Change of Mind

Aussie Traveller understands that at times, final retail customers may change their mind. Choose carefully as return and credit requests for items purchased by mistake or "change of mind" reasons may not be approved. Aussie Traveller will not accept Product returns under these circumstances unless by written approval by an authorized Aussie Traveller representative. If approved, an administration and restocking fee may apply.

Limitations

Aussie Traveller makes no express warranties or representations other than set out in this Warranty.

The repair or replacement of the Product or part of the Product is the absolute limit of Aussie Traveller's liability under this express Warranty.

Contact

Australia Wide: 1300 663 868

Melbourne Office

235 Barry Road
Campbellfield, Melbourne, 3061
Ph: +61 3 9357 6565
enquiries@aussietraveller.com.au

Brisbane Head Office, Factory & Showroom

11-15 Oasis Court
Clontarf, Brisbane, 4019
Ph: +61 7 3284 3284
enquiries@aussietraveller.com.au

To receive a copy of the Aussie Traveller Warranty Terms & Conditions or information regarding specific Aussie Traveller products, please contact Aussie Traveller Head Office on (07) 3284 3284 or email enquiries@aussietraveller.com.au.